

AGES
12+ | 
2

TABLE

AIR HOCKEY

INSTRUCTIONS



Item no.# MA8195A



ambassador

Manufactured by:
Merchant Ambassador (Holdings) Ltd.,
Room 2502, 25/F, Perfect Industrial Building, 31 Tai Yau Street,
San Po Kong, Kowloon, Hong Kong

MADE IN CHINA

For product support, missing or broken parts,
and other issues & questions, please contact us through the
customer care section of our website www.ambassadorgames.com
or email info@merchantambassador.com

ambassador™ is a trademark of Merchant Ambassador (Holdings) Ltd.

All Rights Reserved.

16725



Keep this information.

Adult assembly required.

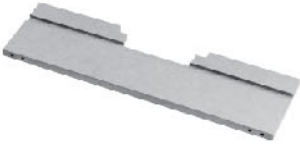



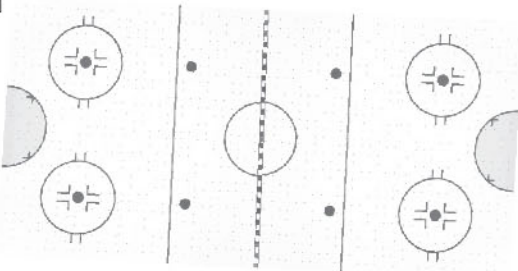


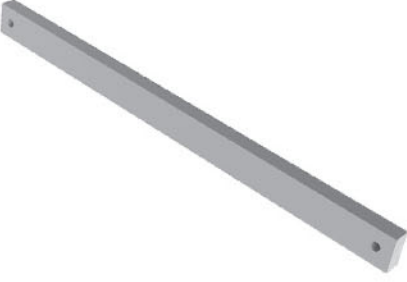




WARNING! Not suitable for children under 3 years.

Choking hazard. Small parts.

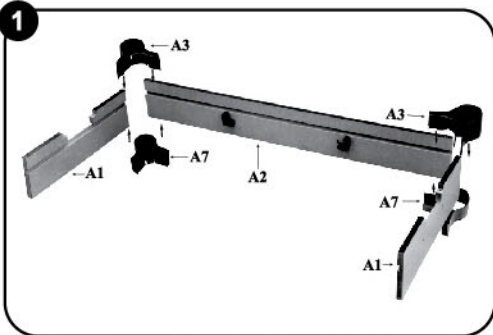
Colour, designs and decorations may vary from those shown in photographs.

For indoor use only.

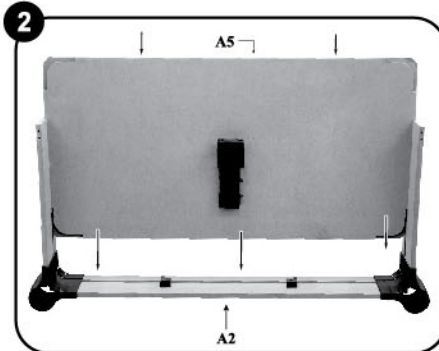
PARTS LIST

A1  x2	A2  x2	A3  x4	A4  x4	
A5  x1	A6  x4	A7  x4	A8  x4	
A9  x2	A10  x4	A11  x2	A12  x2	A13  x2

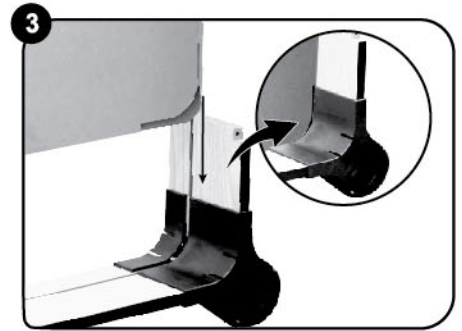
ASSEMBLY INSTRUCTIONS



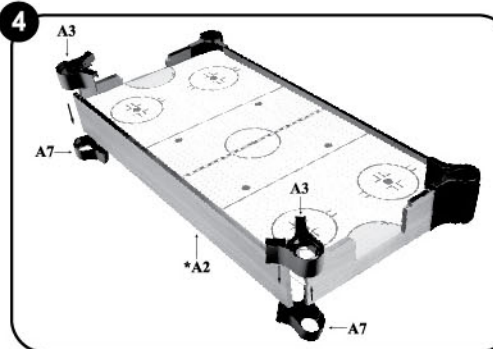
Attach long side (A2) and 2 small sides (A1) in a horizontal position with "A3" and "A7" corner pieces, making sure the grooves in the rails line up correctly as shown above in Diagram 1.



After attaching the three sides, flip vertical, resting the three sections on its long side (A2). Slide board (A5) into top-most grooves. Make sure the fan and battery box are facing the bottom as shown above in Diagram 2.

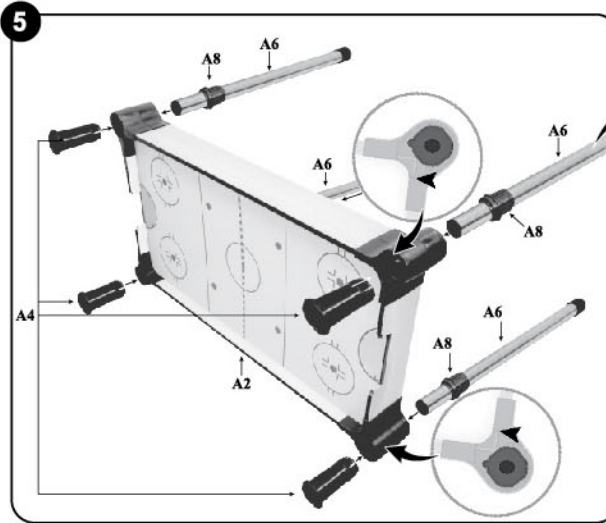


A5 board in position.

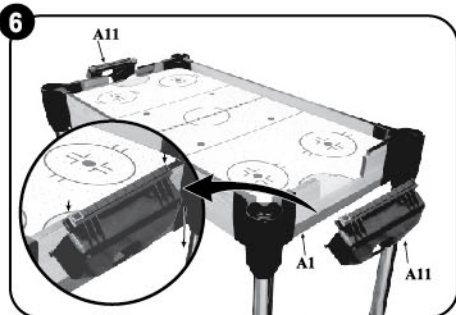


*NOTE - For steps 4, we recommend using 2 people to help hold the boards and rails in place while corner pieces are being attached. Set rail (A3) on top, aligning the boards with the grooves in the rail as shown in Diagram 4.

Attach bottom corner pieces (A7) as shown in Diagram 4.



*For this step the table should still be resting on its long side board (A2) for easier assembly, as shown in Diagram 5. Press down on part A4 so it does not lift out of position while simultaneously pushing in the A6 steel leg until it reaches the full inner depth while screwing in part A8 nut. Throughout this step continue to intermittently push in the steel leg to ensure it is fully inserted into the cavity, before the A8 nut is fully fastened.



Slide the net (A11) downwards so the caps rest on the top of the short side rail (A1), and the pegs press into the holes, as shown in Diagram 6 above.

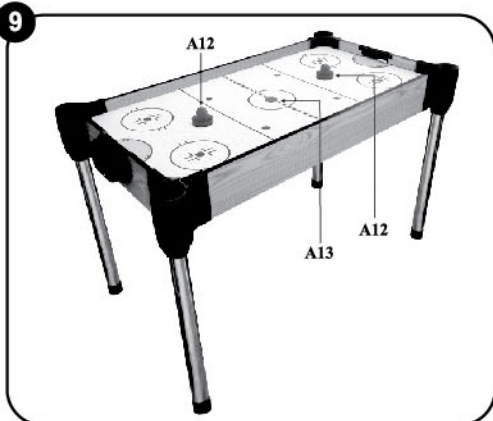
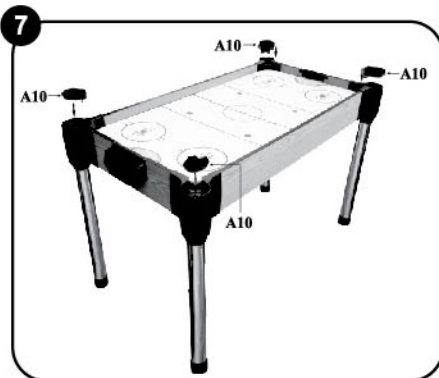


TABLE POOL / GAME RULES

Use 8 x LR6/AA (1.5V) size batteries (not provided).

Object of the Game:

Score the most goals!

Set Up and Game Play:

1. The fan on the underside of the table should be turned on before play begins.
2. The youngest player gets the first possession of the puck, and proceeds to place the red puck in their zone and tries to score on their opponent.
3. Scoring is achieved by knocking the puck with your red pusher into your opponent's goal.
4. A player cannot touch or strike the puck with any part of their body or with any object other than the pusher. Doing so causes a foul and the other player is given possession of the puck in their zone.
5. When the puck breaks the horizontal plane inside the goal, a point is counted.
6. The first player to score 9 points by shooting the puck into their opponent's goal, wins the game.
7. After each game, players change sides of the air hockey table before beginning the next game.
8. After you have finished playing, the fan should be turned off.

To Win:

The first player to score 9 points by shooting the puck into their opponent's goal, wins the game.

Battery Installation & Replacement:

1. Installation by an adult required.
2. Switch toy off before inserting batteries.
3. Loosen the screws by phillips head screwdriver (not included) to open the battery compartment door at the bottom of the product.
4. Insert / replace the new batteries in the proper direction indicated inside the battery compartment.
5. Close the compartment and screw shut securely.

Battery Instructions & Replacement:

Non-rechargeable batteries are not to be recharged.

Rechargeable batteries are only to be charged under adult supervision.

Rechargeable batteries are to be removed from the toy before being charged.

Different types of batteries or new and used batteries are not to be mixed.

Batteries are to be inserted with the correct polarity.

Exhausted batteries are to be removed from the toy.

The supply terminals are not to be short-circuited.

Only batteries of the same or equivalent type as recommended are to be used.

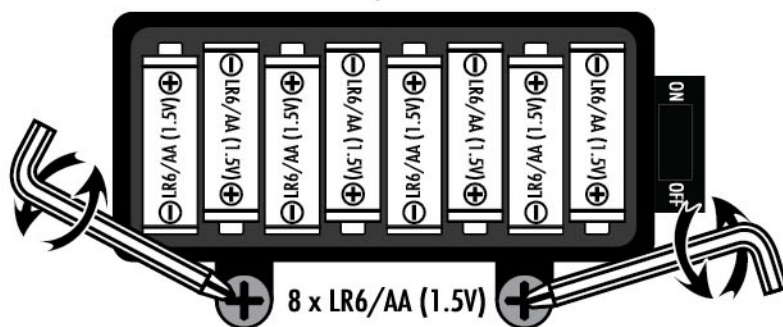
Do not mix old and new batteries.

Do not mix alkaline, standard (Carbon-zinc), or rechargeable (Nickel-cadmium) batteries.

Dispose of batteries responsibly.

Do not dispose of in fire.

To insert or replace batteries:



Batteries not included.