

WARNINGS

Keep this information.
WARNING! Not suitable for children under 3 years.
Choking hazard. Small balls. Small parts.
Colour, designs and decorations may vary from those shown in photographs.

Manufactured by:
Merchant Ambassador (Holdings) Limited
Room 2502, 25/F, Perfect Industrial Building,
31 Tai Yau Street, San Po Kong, Kowloon, Hong Kong
www.ambassadorgames.com
ambassador™ is a trademark of Merchant Ambassador (Holdings) Ltd.
All rights reserved.

Made in China
MA8150
16530



TABLE FOOTBALL / ASSEMBLY INSTRUCTIONS / GAME RULES

Ages: 6+
Number of Players:2

Assembly Instructions:

Follow the assembly instructions shown.

Important note:

Step (6) - Push the handles (H) in firmly. Make sure this is done by an adult.

Steps (7) & (8) - Press one side of the net into position. Push the net in towards the centre (as shown by the grey arrow), then push forward (as shown by the black arrow), allowing the net to clear the opening and lock in place.

Set Up and Game Play:

1. To begin the game, the ball is placed at the feet of a figure in the centre of the table.
2. The initial serving side is decided by coin toss.
3. Players should use the figures, mounted on the rotating bars, to kick the ball into the opposing goal.

To win:

The winner is determined when one team scores 9 goals.

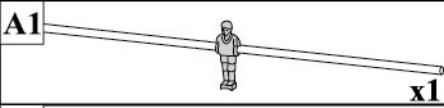
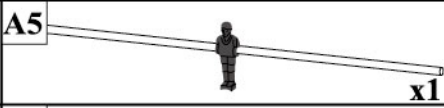


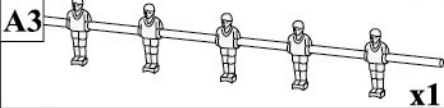
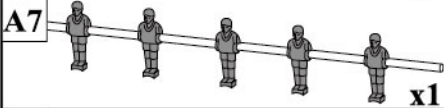
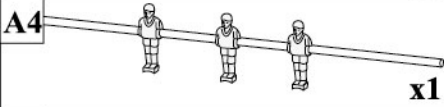
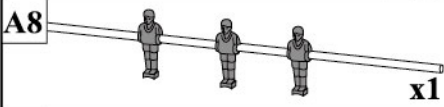
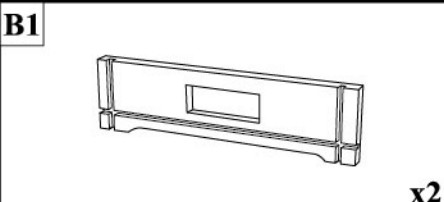
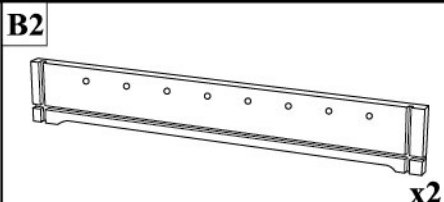
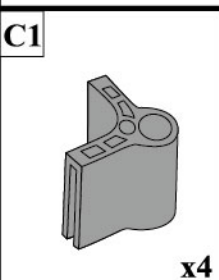
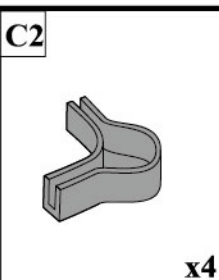
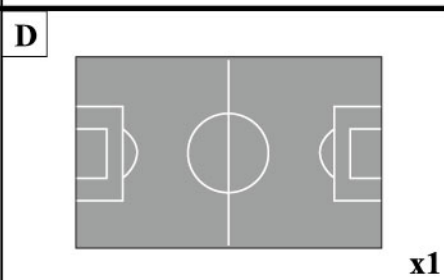
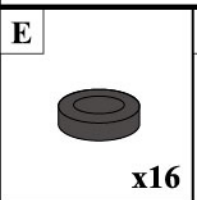
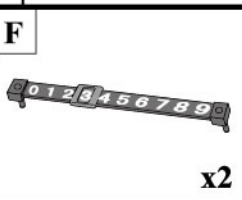
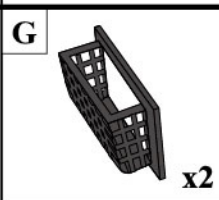
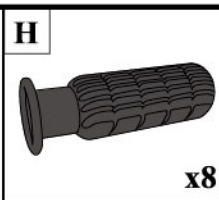
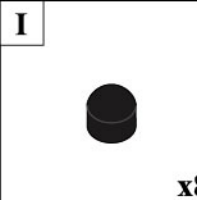
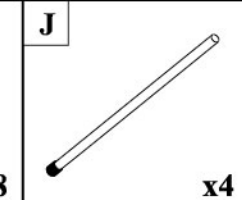
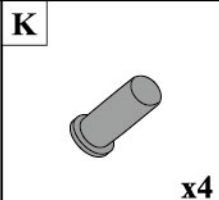
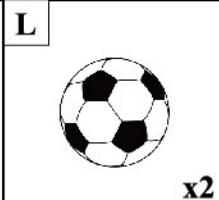
2-in-1!

Play as a stand-alone table game or remove the legs and play as a table-top game!

Scan below for assembly instruction video, or type the following link (using all letters, no numbers) in your web browser: <http://goo.gl/YECHRd>



PARTS LIST

A1  x1	A5  x1		
A2  x1	A6  x1		
A3  x1	A7  x1		
A4  x1	A8  x1		
B1  x2	B2  x2		
C1  x4	C2  x4	D  x1	
E  x16	F  x2	G  x2	H  x8
I  x8	J  x4	K  x4	L  x2

ASSEMBLY INSTRUCTIONS

